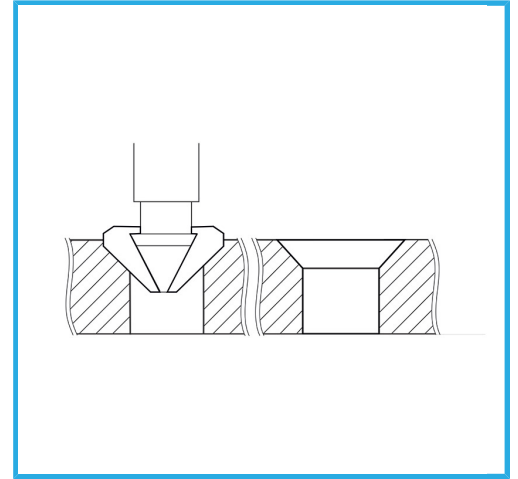


TO PERFORM CONICAL COUNTERSINKS WITHOUT VIBRATIONS.



∅	12,4 mm
Total length	35 mm
Shank dimensions	1/4" HEX x 25 mm
Gross weight	0,02 kg
EAN Code	8012667311834



Box



90°

HSS  
M2

-