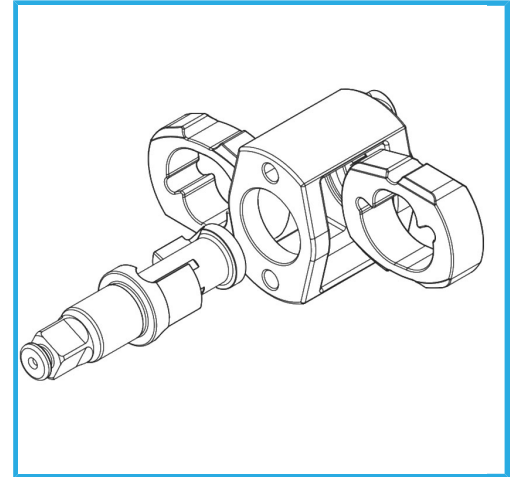
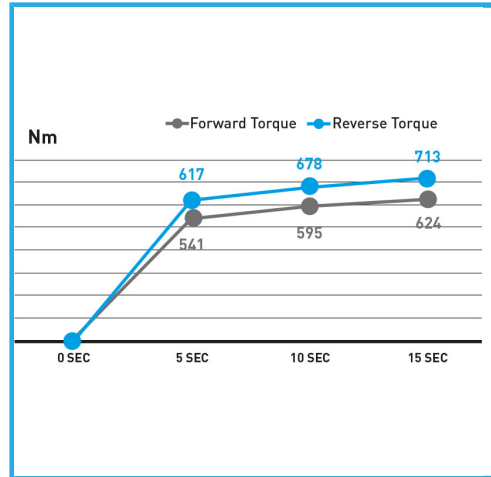


PROFESSIONAL SERIES. IN COMPOSITE MATERIAL, HANDLE AND HEAD IN SHOCKPROOF RUBBER. OPERATING LEVER, CHANGE OF ROTATION AND SPEED..



<b>Speed</b>	7800 rpm
<b>Torque</b>	678 Nm   500 lb-ft
<b>Avg air cons.</b>	136 l/min   4.8 SCFM
<b>Working pressure</b>	6 bar   90 psi
<b>Air inlet</b>	1/4"
<b>Net weight</b>	1,2 kg
<b>Gross weight</b>	1,33 kg
<b>EAN Code</b>	8012667346287



Box



1/2"