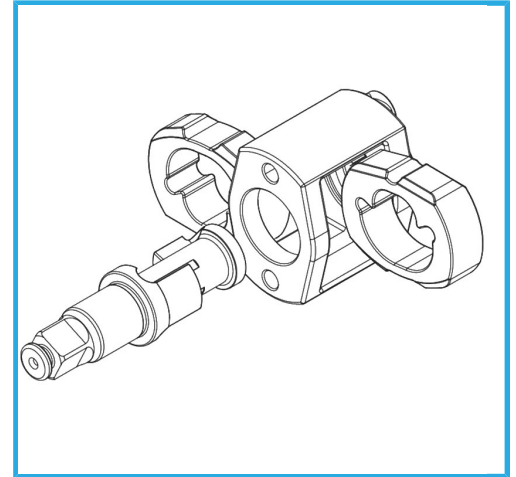
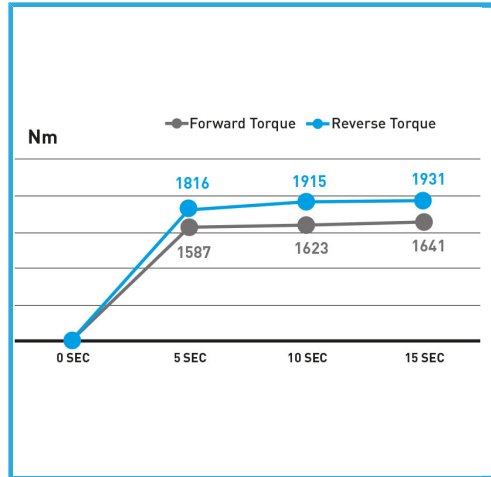


WITH 150MM ANVIL PROFESSIONAL SERIES. IN COMPOSITE MATERIAL, HANDLE AND HEAD IN SHOCKPROOF RUBBER. OPERATING LEVER, CHANGE OF ...



Speed	5300 rpm
Torque	1900 Nm 1400 lb-ft
Avg air cons.	224 l/min 8.1 SCFM
Working pressure	6 bar 90 psi
Air inlet	3/8"
Net weight	4 kg
Gross weight	3,30 kg
EAN Code	8012667346331



Box



3/4"