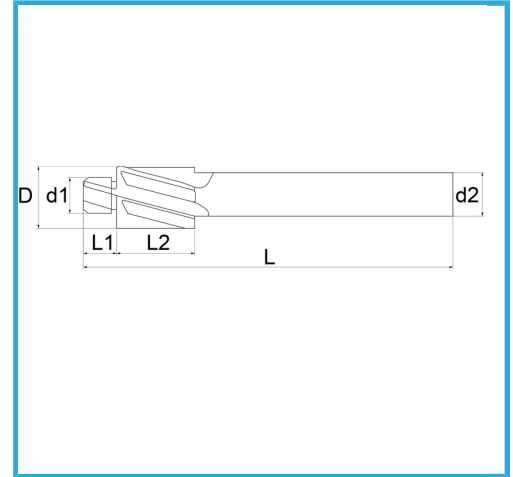
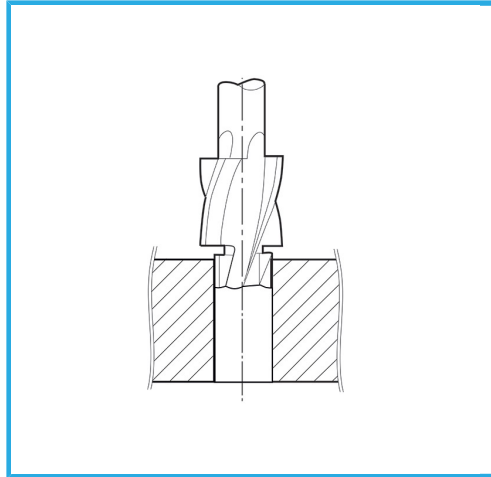


FOR THROUGH HOLES FOR THE EXECUTION OF PRECISION SCREWS OR BOLTS.



Screw	M10
D	18 mm
d1	10,5 mm
d2	12,5 mm
L1	14 mm
L2	22 mm
L	100 mm
Gross weight	0,10 kg
EAN Code	8012667346744



Box



External



373



-



-