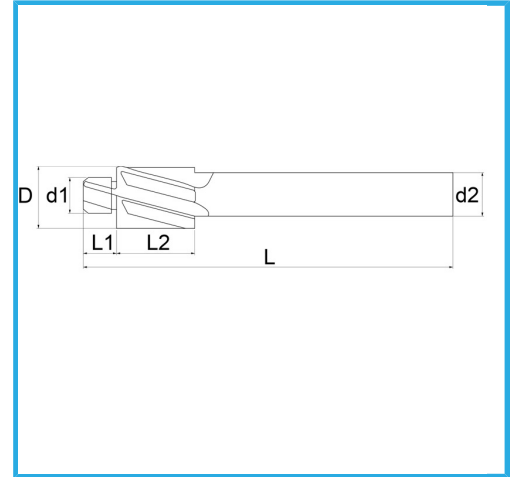
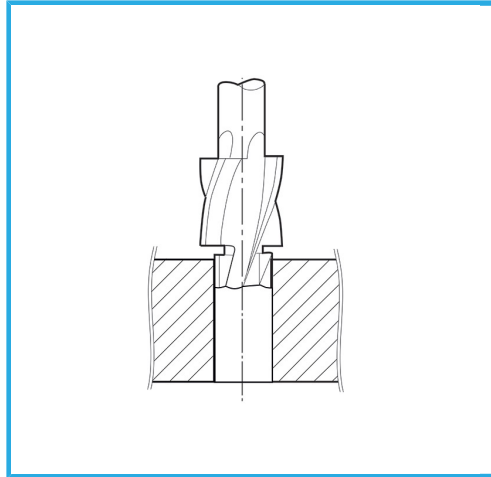


FOR PRE-DRILLED THREADS.



Screw	M10
D	18 mm
d1	8,5 mm
d2	12,5 mm
L1	14 mm
L2	22 mm
L	100 mm
Gross weight	0,10 kg
EAN Code	8012667346638



Box



External



373



-



-