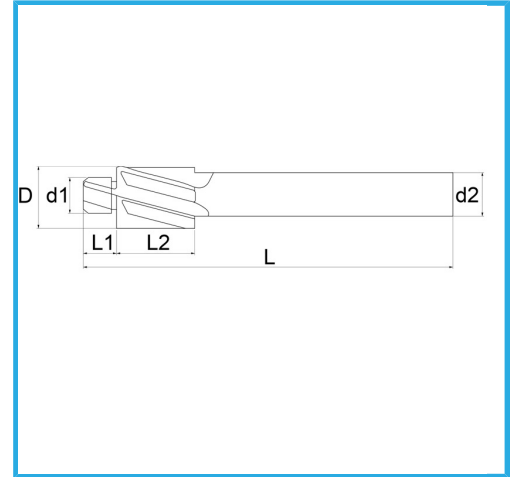
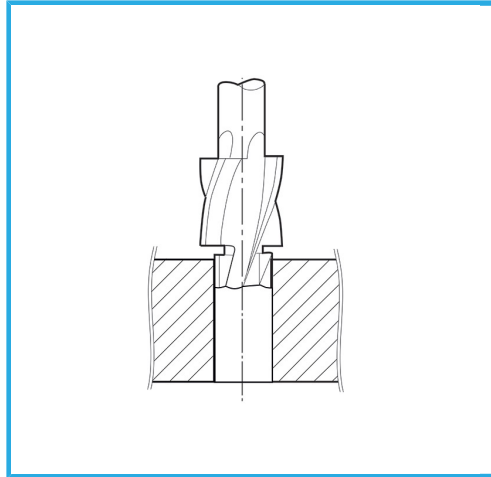


FOR THROUGH HOLES FOR THE EXECUTION OF PRECISION SCREWS  
OR BOLTS.



Screw	M6
D	11 mm
d1	6,4 mm
d2	8 mm
L1	7 mm
L2	18 mm
L	80 mm
Gross weight	0,04 kg
EAN Code	8012667346720



Box



External



373



-



-