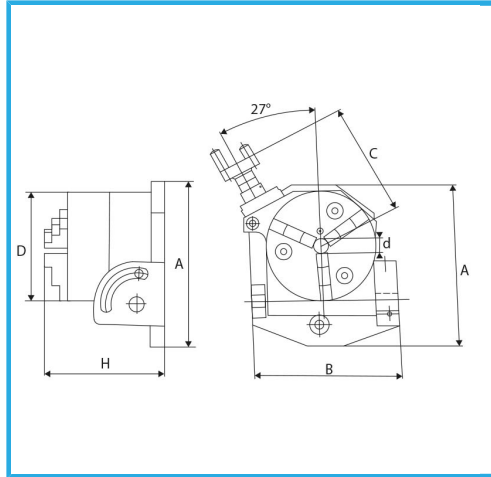


FOR PRECISE POSITIONING OF BOTH ROTATION AND INCLINATION
 THANKS TO THE GRADUATIONS ON THE HANDWHEEL AND ON TILT
 LOCKING LEVER....



Chuck sizes	100 mm
A	143 mm
B	130 mm
C	105 mm
D	100 mm
d	20 mm
H	160 mm
Revolution	360°
Tilting table	90°
Ratio	1:36
Slots	4 x 8 mm N° / mm
Horizontal height	102 mm
Net weight	11 kg
Gross weight	11,72 kg
EAN Code	8012667349769



Box