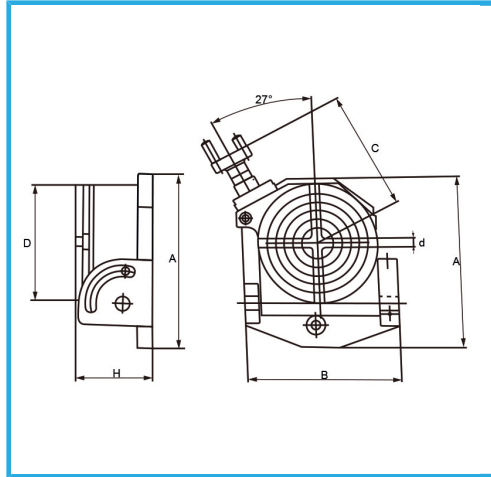


FOR PRECISE POSITIONING OF BOTH ROTATION AND INCLINATION
THANKS TO THE GRADUATIONS ON THE HANDWHEEL AND ON TILT
LOCKING LEVER....



A	143 mm
B	130 mm
C	105 mm
D	102 mm
d	18 mm
H	68 mm
Revolution	360°
Tilting table	90°
Ratio	1:36
Slots	4 x 6.35 mm 5/16" N° / mm
Horizontal height	102 mm
Net weight	5 kg
Gross weight	5,98 kg
EAN Code	8012667349776



Box