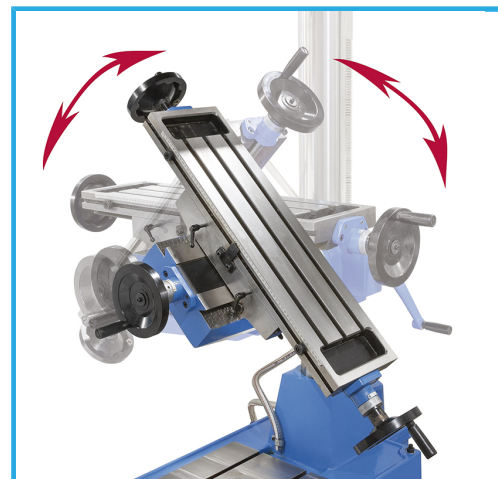


WITH BELT DRIVE, REVERSIBLE, COOLING SYSTEM.



Max drilling capacity on cast iron with pre-drilling hole	40 mm
Max drilling capacity on steel with pre-drilling hole(s235jr)	32 mm
Face milling cutter max	80 mm
End milling cutter max	25 mm
Tapping capacity	24 mm
Spindle taper	CM 4
Chuck sizes	1 - 13 mm B16
Spindle speed	100 - 2200 rpm
Spindle travel	130 mm
Spindle rotation	Dx - Sx
Quill	75 mm
Column	123 mm
Manual vertical feed division	0,05 mm
Distance spindle axis - column surface	300 mm
Distance between spindle nose and table	125 - 525 mm
Table dimensions	730 x 210 mm
Slot	14 mm
Longitudinal axis	480 mm
Cross axis	220 mm
Base dimensions	470 x 680 mm
Motor	400 V 50 Hz 1,1/1,9 kW
Cooling pump	400 V 50 Hz 75 W
Dimensions	850 x 1100 x 1900h mm

Included

Drill chuck with key 1 - 13 mm B16
 Drill chuck shank MT 4 B16
 Spindle taper shank MT 4 Ø 27 mm
 Reduction sleeve MT 4/3
 Reduction sleeve MT 3/2
 Coolant system
 Tie rod M16
 Service keys

Net weight	410 kg
Packaging dimensions	1150x620x2020 h mm
Gross weight	461,00 kg
EAN Code	8012667362102