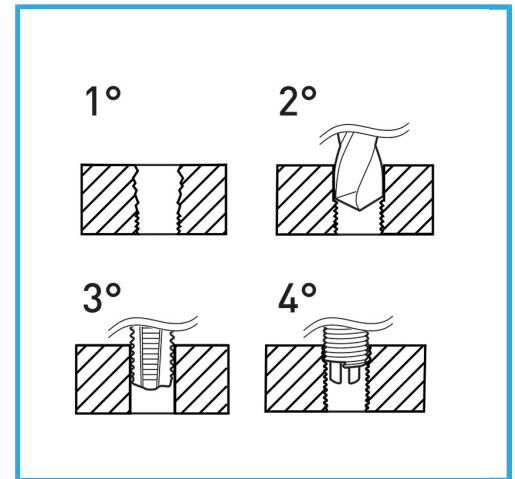


SUITABLE FOR THREAD REGENERATION OR TO OBTAIN VERY RESISTANT TAPPING IN SOFT MATERIALS.



Dimensions	M 24 x 3.0
Boring bit	-
STI Taps	E011/M240X300M
Inserting tool	E011/U23
Tang break tool	-
Inserts quantity	5
Gross weight	1,14 kg
Packaging dimensions	170x130x40 h mm
EAN Code	8012667368548



Hangable

HSS



INOX