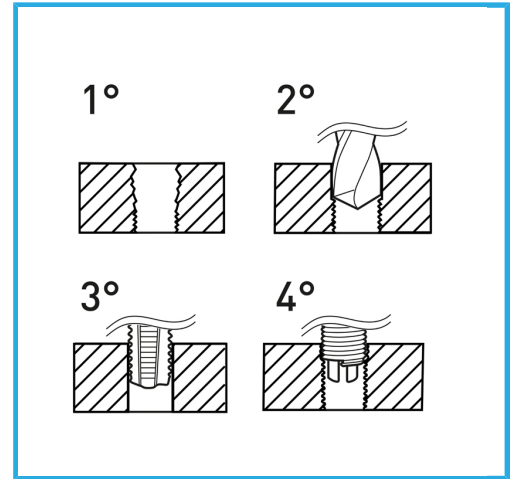


ART. E011/UNC
1/4-1/2 UNC THREAD REPAIR F-COIL SET



SUITABLE FOR THREAD REGENERATION OR TO OBTAIN VERY RESISTANT TAPPING IN SOFT MATERIALS.



Sizes	UNC 1/4" - 1/2"
STI Taps	1/4"x20-5/16"x18-3/8"x16-7/16"x14-1/2"x13
Drills	6.7 mm - 8.6.7 mm - 8.3 mm - 9.9 mm - 11.6 mm - 13.0 mm 3 mm - 9.
Wire-thread inserts	1/4"=25 5/16"=25 3/8"=25 7/16"=10 1/2"=10
Inserting tool	5 Pcs
Tang break tool	5 Pcs
Gross weight	2,66 kg
EAN Code	8012667362751



Carrying case



HSS

-



INOX

-



115 Pcs