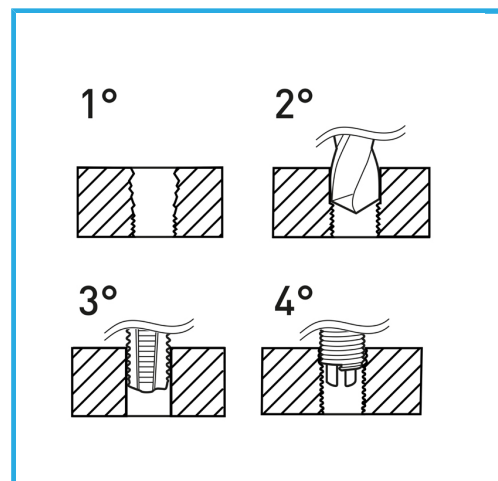


SUITABLE FOR THREAD REGENERATION OR TO OBTAIN VERY RESISTANT TAPPING IN SOFT MATERIALS.



Thread	No. 10 x 32
Drills	Ø 5.1 mm
STI Taps	E011/UNFN10M
Inserting tool	E011/U08
Tang break tool	E011/A08
Wire-thread inserts	E010/UNFN10E15
Inserts quantity	20
Gross weight	0,39 kg
EAN Code	8012667365196



Hangable

HSS



INOX