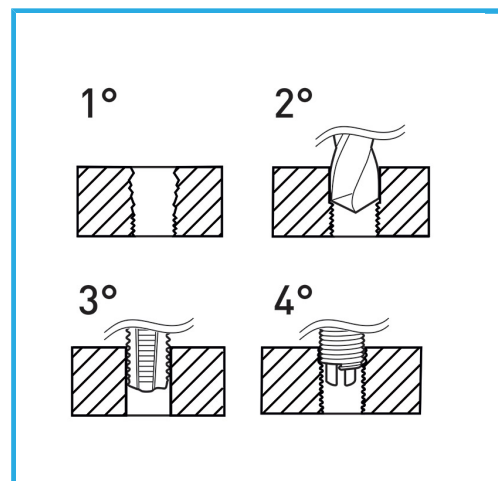


SUITABLE FOR THREAD REGENERATION OR TO OBTAIN VERY RESISTANT TAPPING IN SOFT MATERIALS.



<b>Sizes</b>	BSW 1/4" - 1/2"
<b>STI Taps</b>	1/4"x20-5/16"x18-3/8"x16-7/16"x14-1/2"x12
<b>Drills</b>	6.6 mm - 8.3 mm - 9.9 mm - 11.5 mm - 13.0 mm
<b>Wire-thread inserts</b>	1/4"=25 5/16"=25 3/8"=25 7/16"=10 1/2"=10
<b>Inserting tool</b>	5 Pcs
<b>Tang break tool</b>	5 Pcs
<b>Gross weight</b>	2,62 kg
<b>EAN Code</b>	8012667367244



Carrying  
case



HSS

-



INOX

-



115 Pcs