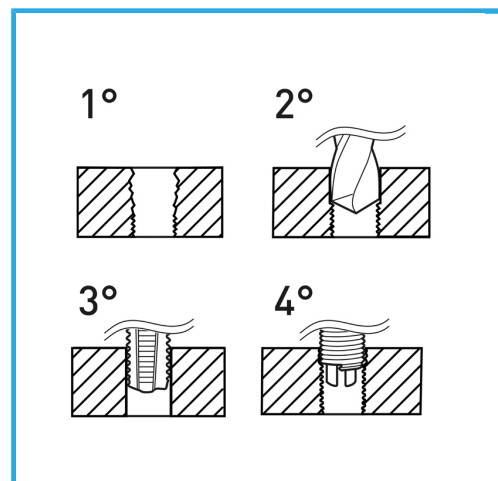


SUITABLE FOR THREAD REGENERATION OR TO OBTAIN VERY RESISTANT TAPPING IN SOFT MATERIALS.



Thread	1" x 12
Drills	-
STI Taps	E011/UNF112M
Inserting tool	E011/U23
Tang break tool	-
Wire-thread inserts	E010/UNF1E15
Inserts quantity	4
Gross weight	1,14 kg
EAN Code	8012667364038



Hangable

HSS



INOX