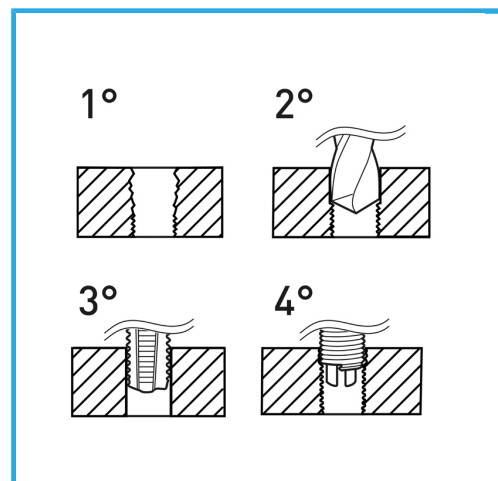


SUITABLE FOR THREAD REGENERATION OR TO OBTAIN VERY RESISTANT TAPPING IN SOFT MATERIALS.



Thread	9/16" x 18
Drills	-
STI Taps	E011/UNF9/16M
Inserting tool	E011/U16
Tang break tool	-
Wire-thread inserts	E010/UNF9/16E15
Inserts quantity	10
Gross weight	0,59 kg
EAN Code	8012667364564



Hangable

HSS



INOX