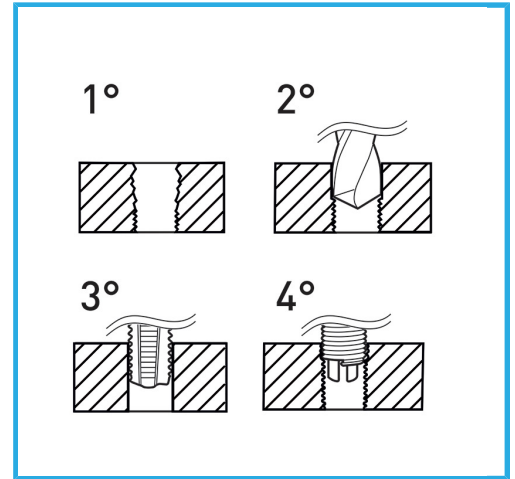


SUITABLE FOR THREAD REGENERATION OR TO OBTAIN VERY RESISTANT TAPPING IN SOFT MATERIALS.



<b>Dimensions</b>	M 14 x 1.25
<b>Boring bit</b>	-
<b>STI Taps</b>	E011/M140X125M
<b>Inserting tool</b>	E011/U16
<b>Tang break tool</b>	-
<b>Inserts quantity</b>	10
<b>Gross weight</b>	0,58 kg
<b>EAN Code</b>	8012667368784



Hangable

HSS



INOX