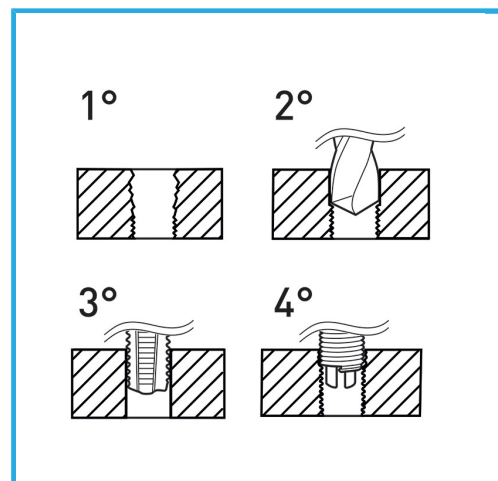


SUITABLE FOR THREAD REGENERATION OR TO OBTAIN VERY RESISTANT TAPPING IN SOFT MATERIALS.



Thread	1" x 8
Boring bit	-
STI Taps	E011/BSW1M
Inserting tool	E011/U23
Tang break tool	-
Wire-thread inserts	E010/BSW1E15
Inserts quantity	4
Gross weight	1,19 kg
EAN Code	8012667364533



Hangable

HSS

INOX