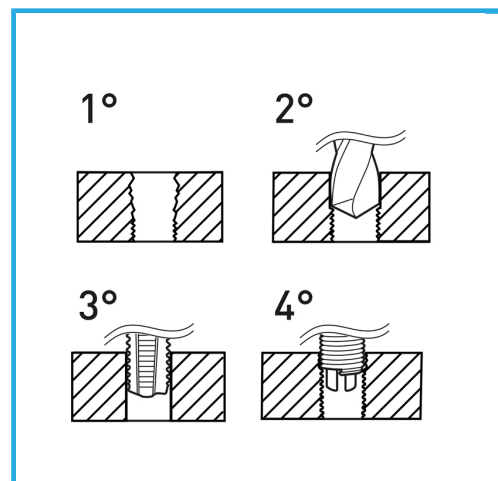


SUITABLE FOR THREAD REGENERATION OR TO OBTAIN VERY RESISTANT TAPPING IN SOFT MATERIALS.



Thread	7/16" x 14
Drills	Ø 11.6 mm
STI Taps	E011/UNC7/16M
Inserting tool	E011/U14
Tang break tool	E011/A14
Wire-thread inserts	E010/UNC7/16E15
Inserts quantity	10
Gross weight	0,58 kg
EAN Code	8012667368579



Hangable

HSS



INOX