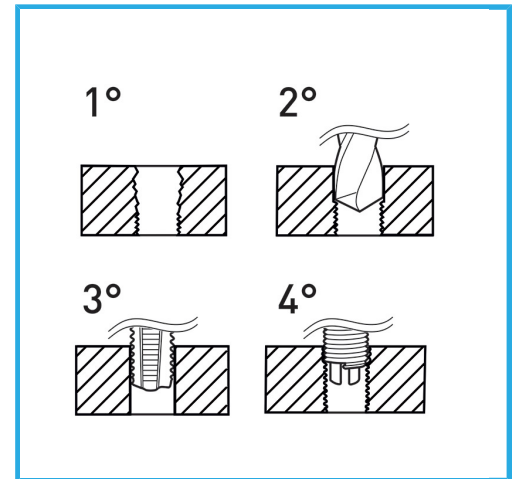


SUITABLE FOR THREAD REGENERATION OR TO OBTAIN VERY RESISTANT TAPPING IN SOFT MATERIALS. 14MM SIZE SPECIFIC FOR CAR SPARK PLUGS.



<b>Sizes</b>	M6 - M14 mm
<b>STI Taps</b>	M6 x 1.0 - M8 x 1.25 - M10 x 1.5 - M12 x 1.75 - M14 x 1.25
<b>Drills</b>	6.3 mm - 8.3 mm - 10.4 mm - 12.4 mm
<b>Wire-thread inserts</b>	M6 25 Pcs - M8 25 Pcs - M10 25 Pcs - M12 10 Pcs - M14 10 Pcs
<b>Inserting tool</b>	5 Pcs
<b>Tang break tool</b>	4 Pcs
<b>Gross weight</b>	2,63 kg
<b>EAN Code</b>	8012667366018



Carrying case



HSS

-



INOX

-



113 Pcs