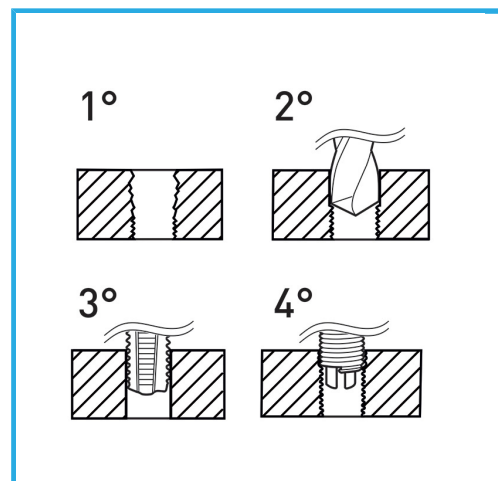


SUITABLE FOR THREAD REGENERATION OR TO OBTAIN VERY RESISTANT TAPPING IN SOFT MATERIALS.



<b>Thread</b>	3/4" x 12
<b>Boring bit</b>	-
<b>STI Taps</b>	E011/BSF3/4M
<b>Inserting tool</b>	E011/U20
<b>Tang break tool</b>	-
<b>Wire-thread inserts</b>	E010/BSF3/4E15
<b>Inserts quantity</b>	5
<b>Gross weight</b>	0,79 kg
<b>EAN Code</b>	8012667363383



Hangable

HSS



INOX