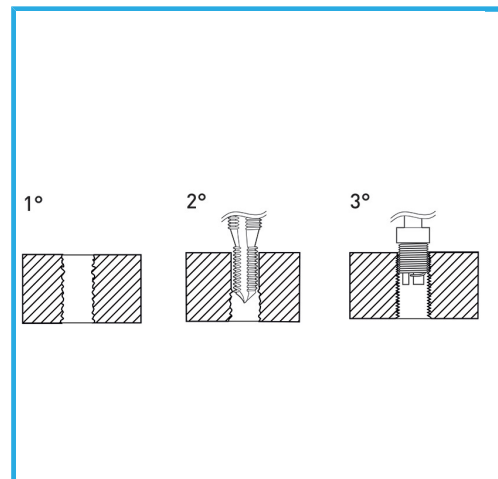
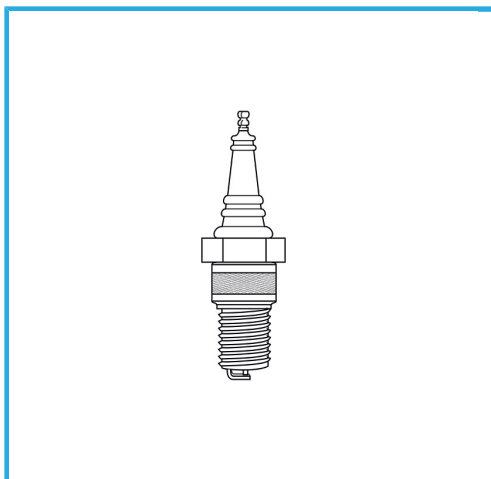


SPECIFIC FOR REPAIRS OR REINFORCEMENT OF SPARK PLUG SEATS.



Size M 14 x 1.25
Inserting tool E011/U17
STI Taps E011/M140X125M
Wire-thread inserts 5 x E010/M140X125E084 - 5 x
E010/M140X125E124 - 5 x
E010/M140x125E164
Gross weight 0,56 kg
EAN Code 8012667368586



Hangable

HSS



INOX