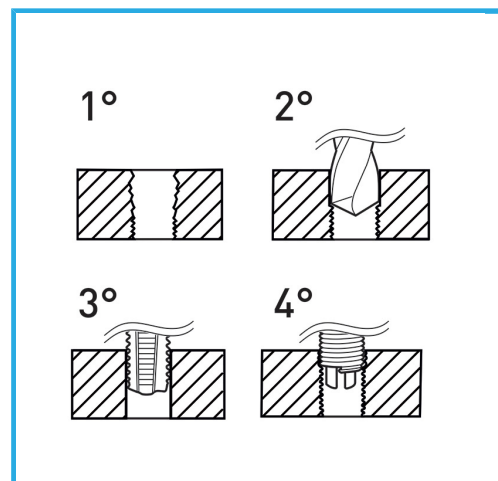


SUITABLE FOR THREAD REGENERATION OR TO OBTAIN VERY RESISTANT TAPPING IN SOFT MATERIALS.



<b>Thread</b>	7/16" x 18
<b>Boring bit</b>	Ø 11.5 mm
<b>STI Taps</b>	E011/BSF7/16M
<b>Inserting tool</b>	E011/U14
<b>Tang break tool</b>	E011/A14
<b>Wire-thread inserts</b>	E010/BSF7/16E15
<b>Inserts quantity</b>	10
<b>Gross weight</b>	0,58 kg
<b>EAN Code</b>	8012667362928



Hangable

HSS



INOX