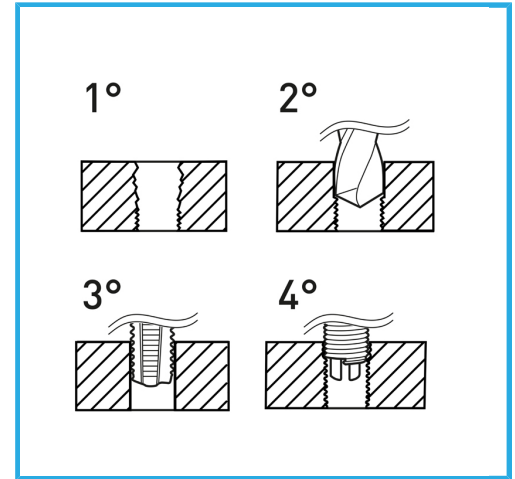


SUITABLE FOR THREAD REGENERATION OR TO OBTAIN VERY RESISTANT TAPPING IN SOFT MATERIALS.



<b>Thread</b>	5/16" x 24
<b>Drills</b>	Ø 8.3 mm
<b>STI Taps</b>	E011/UNF5/16M
<b>Inserting tool</b>	E011/U11
<b>Tang break tool</b>	E011/A11
<b>Wire-thread inserts</b>	E010/UNF5/16E15
<b>Inserts quantity</b>	20
<b>Gross weight</b>	0,49 kg
<b>EAN Code</b>	8012667365615



Hangable

HSS



INOX