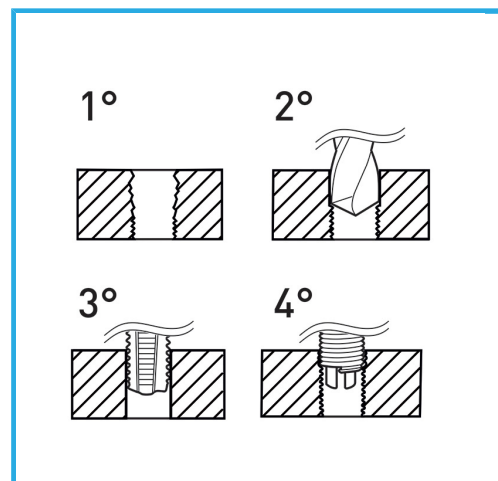


**ART. E011/BSF**  
**1/4-1/2 BSF THREAD REPAIR F-COIL SET**



SUITABLE FOR THREAD REGENERATION OR TO OBTAIN VERY RESISTANT TAPPING IN SOFT MATERIALS.



<b>Sizes</b>	BSF 1/4" - 1/2"
<b>STI Taps</b>	1/4"x26-5/16"x22-3/8"x20-7/16"x18-1/2"x16
<b>Drills</b>	6.6 mm - 8.3 mm - 9.9 mm - 11.5 mm - 13.0 mm
<b>Wire-thread inserts</b>	1/4"=25 5/16"=25 3/8"=25 7/16"=10 - 1/2"=10
<b>Inserting tool</b>	5 Pcs
<b>Tang break tool</b>	5 Pcs
<b>Gross weight</b>	2,58 kg
<b>EAN Code</b>	8012667367060



Carrying  
case



HSS

-



INOX

-



115 Pcs