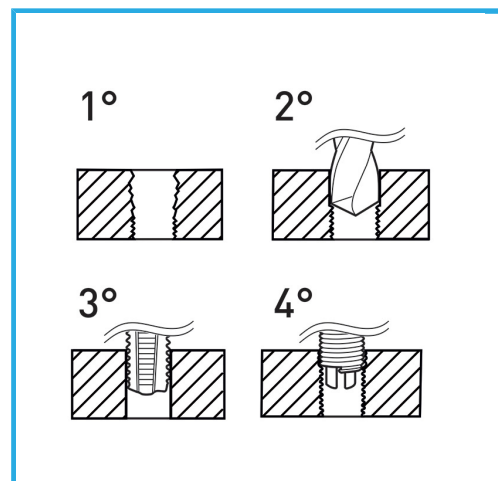


SUITABLE FOR THREAD REGENERATION OR TO OBTAIN VERY RESISTANT TAPPING IN SOFT MATERIALS.



Thread	5/16" x 22
Boring bit	Ø 8.3 mm
STI Taps	E011/BSF5/16M
Inserting tool	E011/U11
Tang break tool	E011/A11
Wire-thread inserts	E010/BSF5/16E15
Inserts quantity	20
Gross weight	0,48 kg
EAN Code	8012667366612



Hangable

HSS



INOX