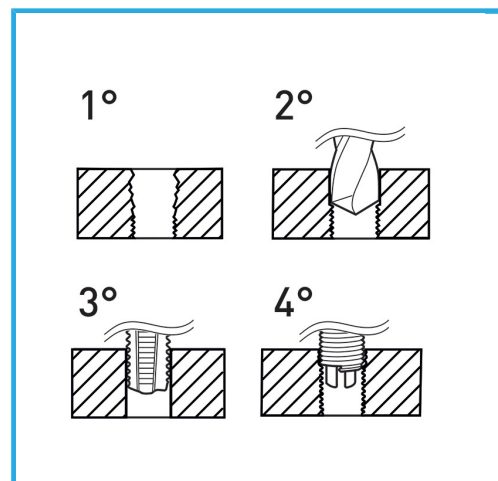


SUITABLE FOR THREAD REGENERATION OR TO OBTAIN VERY RESISTANT TAPPING IN SOFT MATERIALS.



Dimensions	M 3.5 x 0.6
Boring bit	Ø 3.7 mm
STI Taps	E011/M035X060M
Inserting tool	E011/U05
Tang break tool	E011/A05
Inserts quantity	20
Gross weight	0,35 kg
EAN Code	8012667364731



Hangable

HSS



INOX