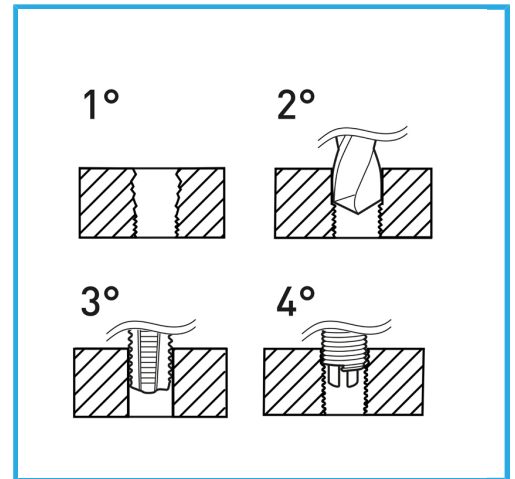


SUITABLE FOR THREAD REGENERATION OR TO OBTAIN VERY RESISTANT TAPPING IN SOFT MATERIALS.



| | |
|----------------------------|----------------|
| Thread | 1/2" x 13 |
| Drills | Ø 13.0 mm |
| STI Taps | E011/UNC1/2M |
| Inserting tool | E011/U15 |
| Tang break tool | E011/A15 |
| Wire-thread inserts | E010/UNC1/2E15 |
| Inserts quantity | 10 |
| Gross weight | 0,68 kg |
| EAN Code | 8012667362966 |



Hangable

HSS



INOX