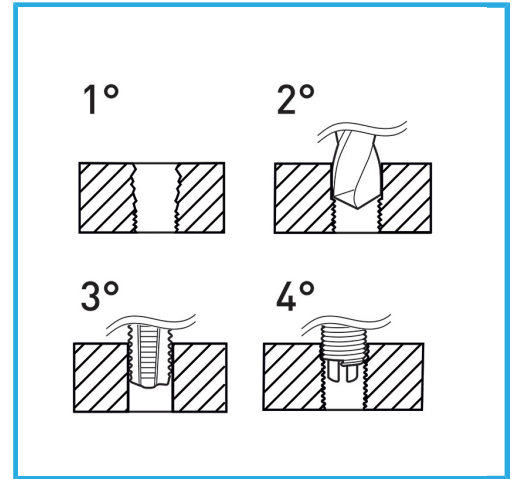


SUITABLE FOR THREAD REGENERATION OR TO OBTAIN VERY RESISTANT TAPPING IN SOFT MATERIALS.



| | |
|----------------------------|----------------|
| Thread | 3/4" x 10 |
| Boring bit | - |
| STI Taps | E011/BSW3/4M |
| Inserting tool | E011/U20 |
| Tang break tool | - |
| Wire-thread inserts | E010/BSW3/4E15 |
| Inserts quantity | 5 |
| Gross weight | 0,81 kg |
| EAN Code | 8012667366315 |



Hangable

HSS



INOX