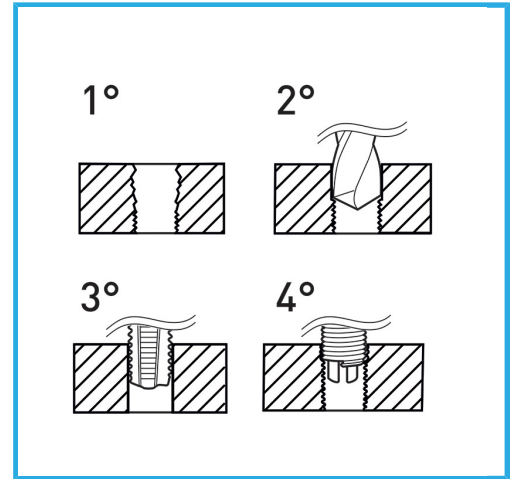


SUITABLE FOR THREAD REGENERATION OR TO OBTAIN VERY RESISTANT TAPPING IN SOFT MATERIALS.



Thread	7/8" x 11
Boring bit	-
STI Taps	E011/BSF7/8M
Inserting tool	E011/U22
Tang break tool	-
Wire-thread inserts	E010/BSF7/8E15
Inserts quantity	5
Gross weight	0,97 kg
EAN Code	8012667364717



Hangable

HSS



INOX