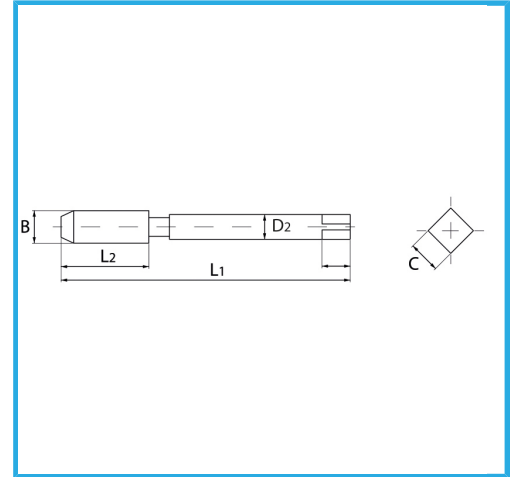


SPECIAL TYPE FOR CREATING THE THREADED INSERT HOUSING SEAT.



|                     |               |
|---------------------|---------------|
| <b>Size</b>         | M 16 x 1.5    |
| <b>B</b>            | 18.0 mm       |
| <b>L1</b>           | 104.0 mm      |
| <b>L2</b>           | 29.0 mm       |
| <b>D2</b>           | 14.0 mm       |
| <b>C</b>            | 11.20 mm      |
| <b>Gross weight</b> | 0,13 kg       |
| <b>EAN Code</b>     | 8012667365639 |



Box

HSS-G