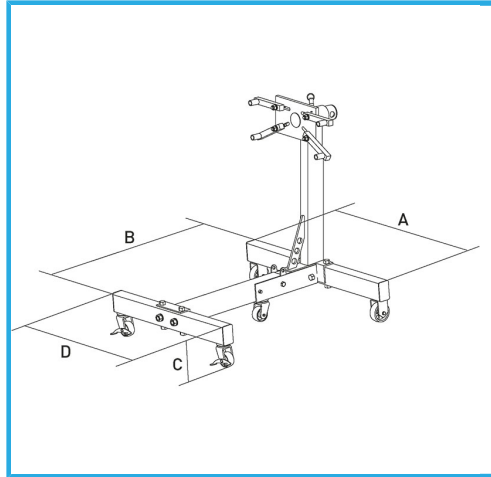


2 SWIVEL WHEELS WITH BRAKE AND 2 FIXED CAST IRON WHEELS, POSSIBILITY TO TILT THE ENGINE. THE ABILITY TO FOLD IT WHEN NOT IN USE...



Capacity	680 kg
Dimensions	860 x 830 x 900 mm
Net weight	31 kg
A	820 mm
B	810 mm
C	180 mm
D	680 mm
Gross weight	32,00 kg
EAN Code	8012667386283