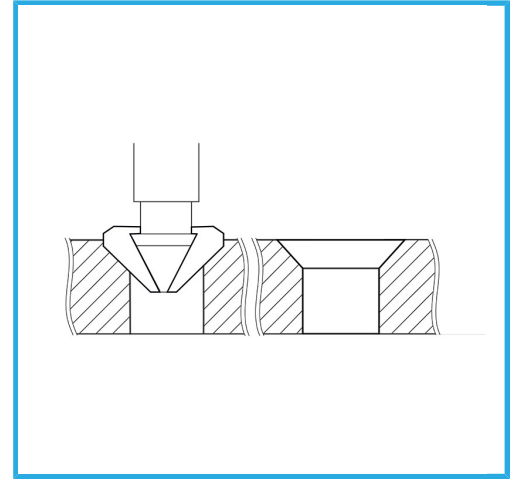
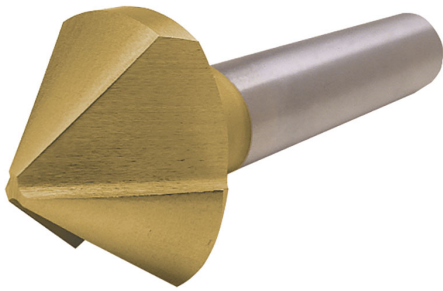


WITH GROUND EDGES AND GROOVES MACHINED FROM SOLID, TO PERFORM CONICAL COUNTERSINKS WITHOUT VIBRATIONS.



<b>Ø max</b>	10 mm
<b>Screws M</b>	5- DIN 74 AF
<b>Stem</b>	Ø 6 mm
<b>Gross weight</b>	0,02 kg
<b>EAN Code</b>	8012667397432



Box



External