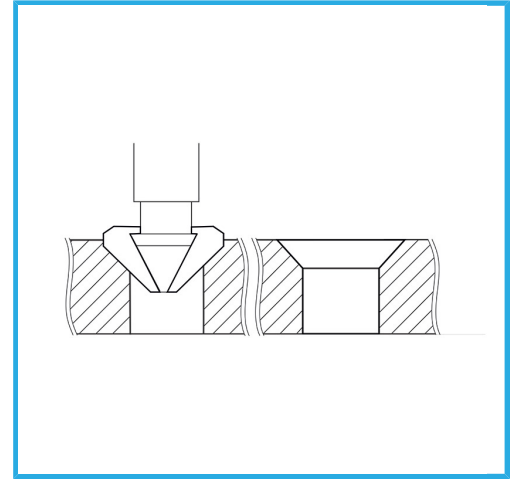
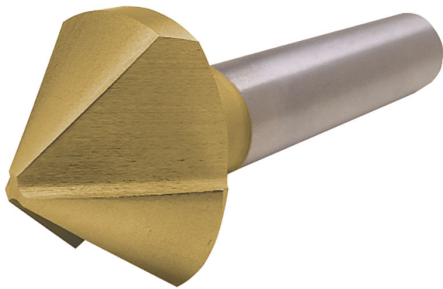


WITH GROUND EDGES AND GROOVES MACHINED FROM SOLID, TO PERFORM CONICAL COUNTERSINKS WITHOUT VIBRATIONS.



Ø max	8 mm
Screws M	4 - DIN 74 AF
Stem	Ø 6 mm
Gross weight	0,02 kg
EAN Code	8012667397425



Box



External