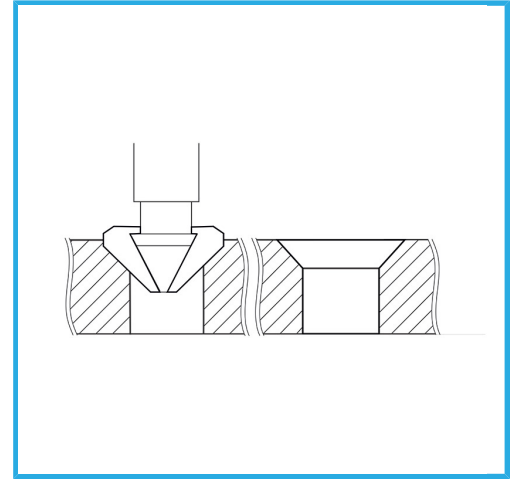
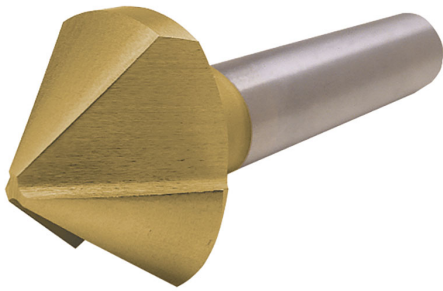


WITH GROUND EDGES AND GROOVES MACHINED FROM SOLID, TO PERFORM CONICAL COUNTERSINKS WITHOUT VIBRATIONS.



Ø max	6 mm
Screws M	3 - DIN 74 AF
Stem	Ø 5 mm
Gross weight	0,01 kg
EAN Code	8012667397418



Box



90°



External