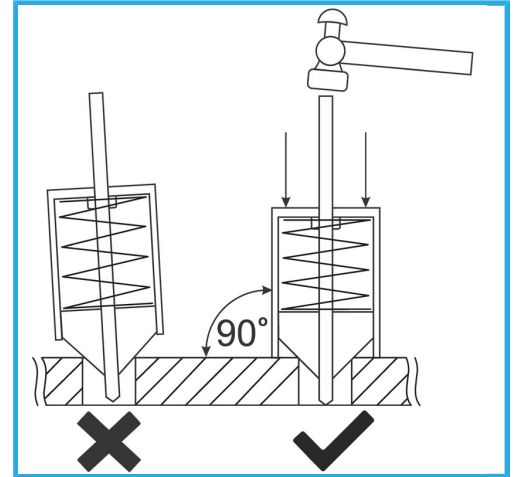


FOR CENTRING WITHIN EXISTING BORES, THE SPRING-LOADED,
CONICAL FRONT PROVIDES ACCURATE CENTRING.



Length	100 mm
Hole diameter	Ø5 - Ø30 mm
Gross weight	0,20 kg
EAN Code	8012667408275



Box



Steel