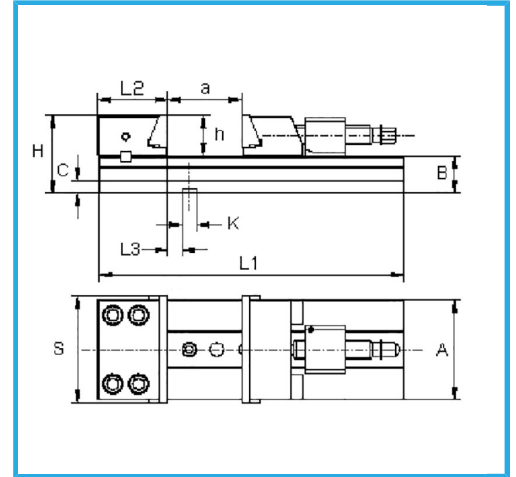
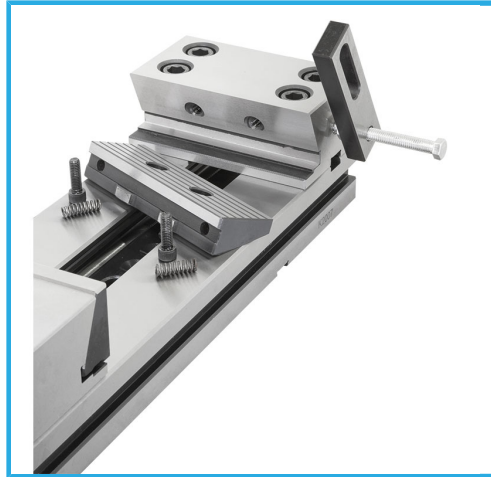
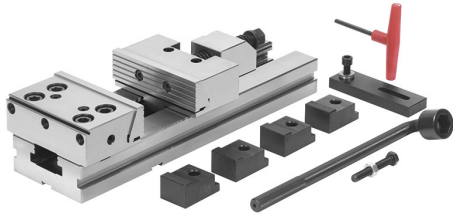


SUITABLE FOR JOBS WHERE PRECISION, RELIABILITY, AVAILABILITY AND SECURE LOCKING ARE REQUIRED. SUITABLE FOR PRECISION MILLING AND..



Jaw dimensions

S	175 mm
A	145 mm
B	58 mm
C	20 mm
H	118 mm
L1	755 mm
L2	96.9 mm
L3	25,6 mm
h	60 mm
K h7	16 mm
a	500 mm
Net weight	50 kg
Gross weight	60,00 kg
EAN Code	8012667253998



Wooden Box



Tempered



Grounded



Steel