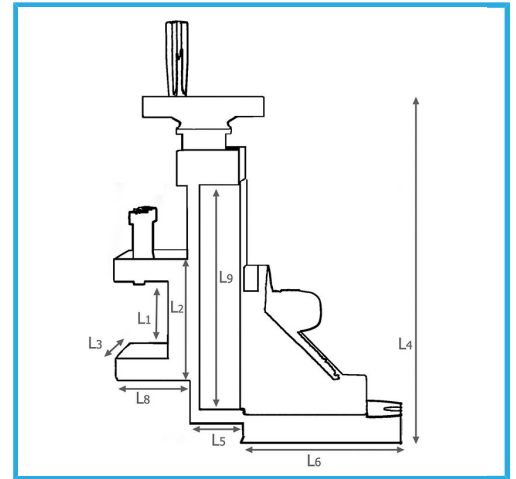


IT ALLOWS YOU TO PERFORM A SURFACE MACHINING ON THE CLAMPED PIECE WITH THE USE OF THE LATHE SPINDLE AS A TOOL HOLDER. FIXING BY...



L1	52 mm
L2	80 mm
L3	65 mm
L4	220 mm
L5	37 mm
L6	110 mm
L8	46 mm
L9	150 mm
Gross weight	5,88 kg
EAN Code	8012667232788



Box