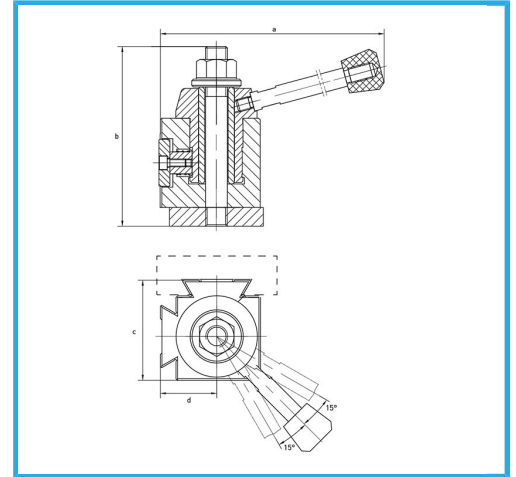
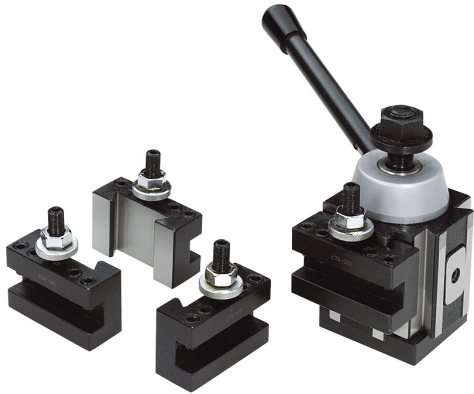


FOR QUICK TOOL CHANGES THANKS TO THE LOCK / UNLOCK LEVER.  
COMPOSED OF: - 1 TOOL POST - 4 FLAT TYPE TOOL HOLDERS.



<b>Length</b>	100 mm
<b>Width</b>	100 mm
<b>Height</b>	92 mm
<b>Hole</b>	22,22 mm
<b>Tool height</b>	25 mm
<b>Gross weight</b>	18,24 kg
<b>EAN Code</b>	8012667213732



Box