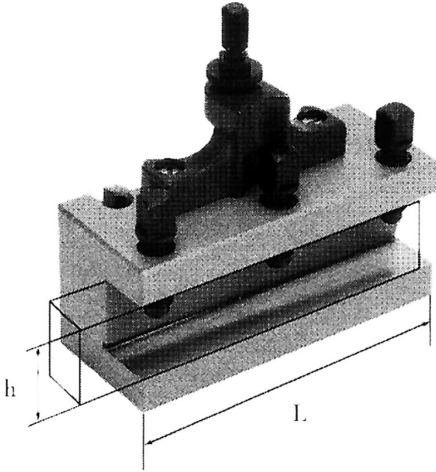


TYPE D EQUIPPED WITH SCREW FOR HEIGHT ADJUSTMENT AND 3 CLAMPING SCREWS.



L	80 mm
h	16 mm
Gross weight	0,62 kg
EAN Code	8012667189990



Box