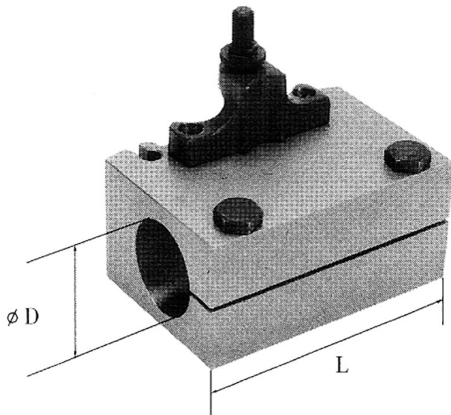


TYPE S, SUITABLE FOR HOUSING MORSE TAPER BUSHES COD. C40142, AND FOR THE DIRECT HOUSING OF TURNING BARS. EQUIPPED WITH...



| | |
|---------------------|---------------|
| L | 80 mm |
| D | 30 mm |
| Gross weight | 0,94 kg |
| EAN Code | 8012667190552 |



Box