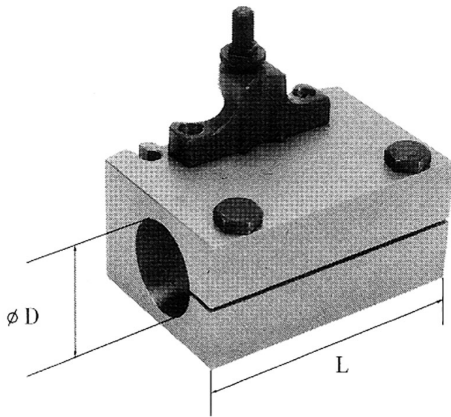


TYPE S, SUITABLE FOR HOUSING MORSE TAPER BUSHES COD. C40142, AND FOR THE DIRECT HOUSING OF TURNING BARS. EQUIPPED WITH...



<b>L</b>	120 mm
<b>D</b>	40 mm
<b>Gross weight</b>	2,71 kg
<b>EAN Code</b>	8012667188887



Box