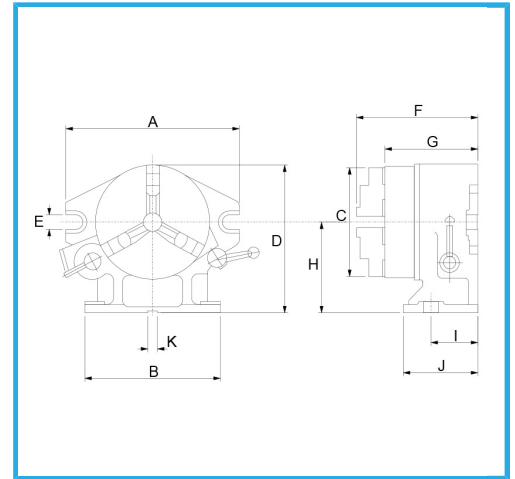


IT ALLOWS YOU TO HAVE VARIOUS TYPES OF DIVISIONS BASED ON THE TYPE OF DISC MOUNTED. DIVISION IS DONE AUTOMATICALLY USING THE...



Dividing	2 - 3 - 4 - 6 - 8 - 12 - 24 g
A	230 mm
B	230 mm
C	160 mm
D	236 mm
E	18 mm
F	320 mm
G	285 mm
H	125 mm
I	- mm
J	210 mm
K	18 mm
Hole	30 mm
Hor. max load	50 kg
Ver. max load	10 kg
Net weight	66,5 kg
Gross weight	66,50 kg
EAN Code	8012667260699



Wooden Box