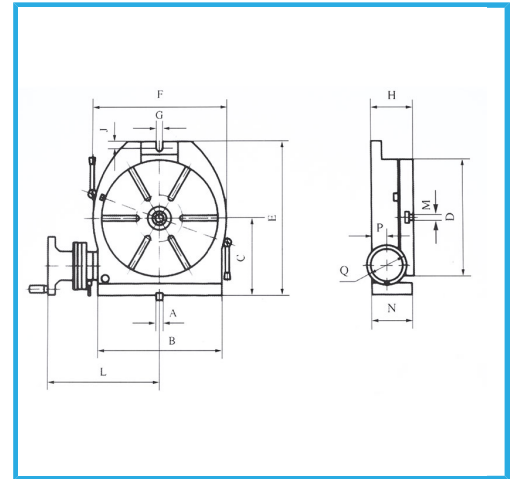
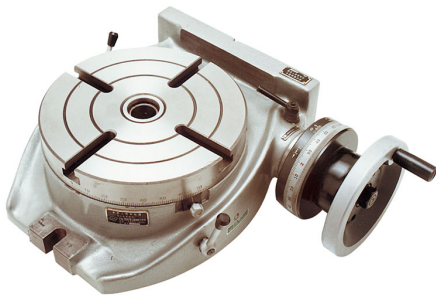


EQUIPPED WITH MICROMETRIC ADJUSTMENT AND OIL BATH GEARS.



| | |
|----------------------|---------------|
| A | 12 mm |
| B | 186 mm |
| C | 125 mm |
| D | 160 mm |
| E | 242 mm |
| F | 196 mm |
| G | 12 mm |
| H | 85 mm |
| J | 12 mm |
| L | 194 mm |
| N | 82 mm |
| P | 37 mm |
| Q | 125 mm |
| MT | 2 |
| Ratio | 1:90 |
| Slots | 4/10 N° / mm |
| Hor. max load | 100 kg |
| Ver. max load | 50 kg |
| Net weight | 23 kg |
| Gross weight | 31,00 kg |
| EAN Code | 8012667180287 |



Wooden Box