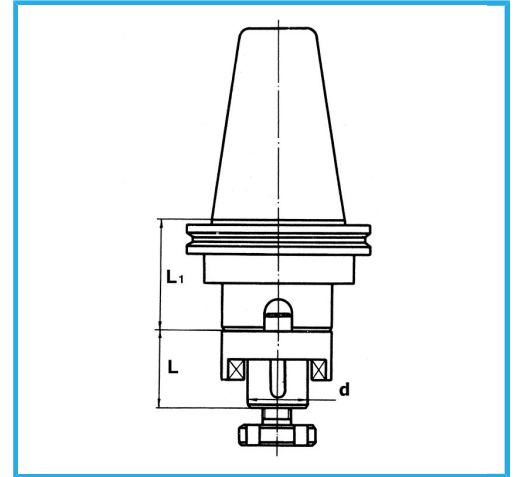


DIN 69871/A, BALANCED CHUCK BODY, FOR CYLINDRICAL END MILLS  
ACCORDING TO DIN 481, FOR MILLING CUTTERS WITH LONGITUDINAL  
GROOVE...



ISO	40
d-h6	22 mm
L	31 mm
L1	41 mm
Balancing rpm	12000
Gross weight	1,50 kg
EAN Code	8012667008048



Box

18Ni  
CrMo5



Grounded