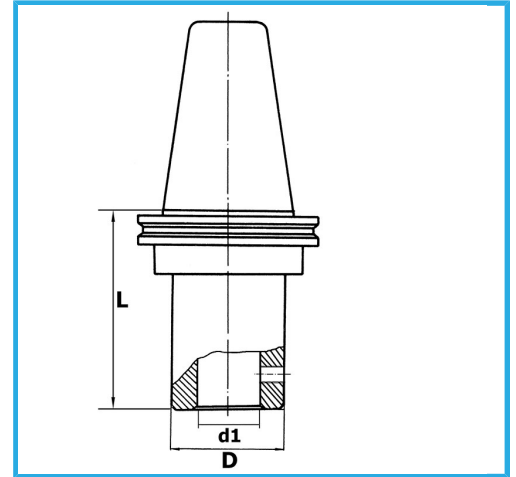


DIN 69871/A, BALANCED CHUCK BODY, FOR MILLING CUTTERS (WELDON) ACCORDING TO DIN 1835 B AND DIN 6535 HB. SUPPLIED WITH TIGHTENING..



ISO	50
d1 - h6	25 mm
D	65 mm
L	100 mm
Gross weight	3,87 kg
EAN Code	8012667193218



Box



Grounded



18Ni  
CrMo5

-