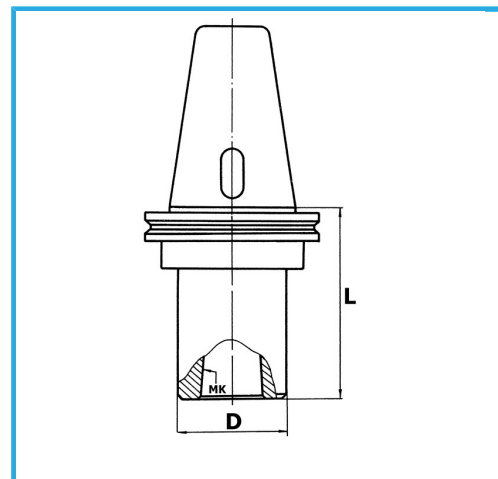


DIN 69871/A, BALANCED CHUCK BODY, WITH EXTRACTION SLOT FOR TOOLS. BALANCING 12.000 RPM.



ISO	40
MT	1
D	25 mm
L	45 mm
Gross weight	0,97 kg
EAN Code	8012667007775



Box



Grounded



18Ni  
CrMo5

-