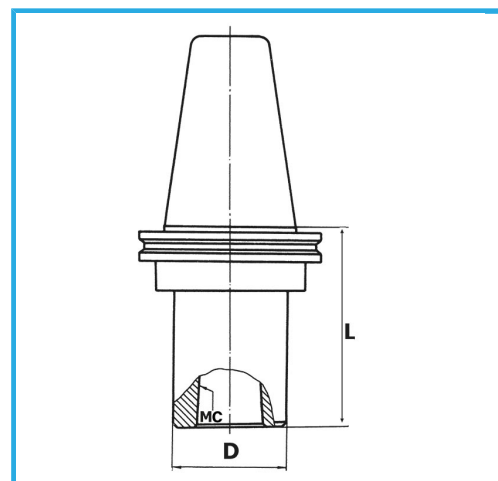


DIN 69871/A, BALANCED CHUCK BODY. BALANCING 12.000 RPM.



ISO	50
MT	4
D	50 mm
L	80 mm
Gross weight	3,55 kg
EAN Code	8012667008017



Box



Grounded

18Ni  
CrMo5