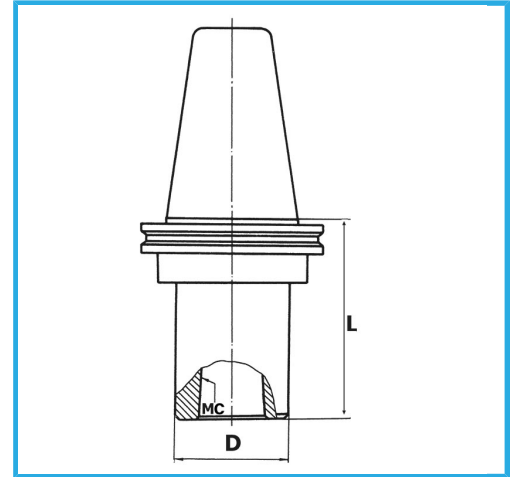


DIN 69871/A, BALANCED CHUCK BODY. BALANCING 12.000 RPM.



ISO	50
MT	5
D	63 mm
L	110 mm
Gross weight	3,56 kg
EAN Code	8012667008024



Box



Grounded



18Ni  
CrMo5

-