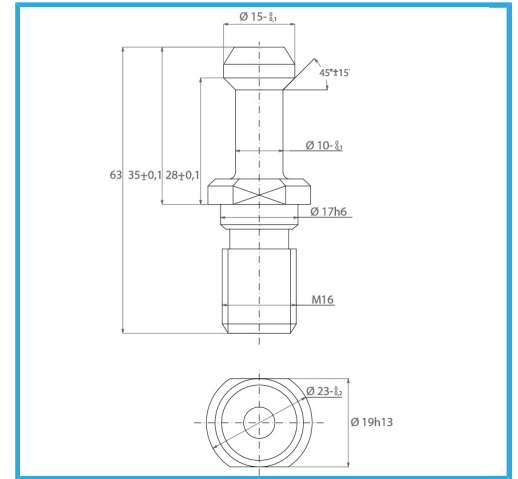


DIN 69871/A.



ISO

50

Gross weight

0,22 kg

EAN Code

8012667008192



Box



Tempered



Steel