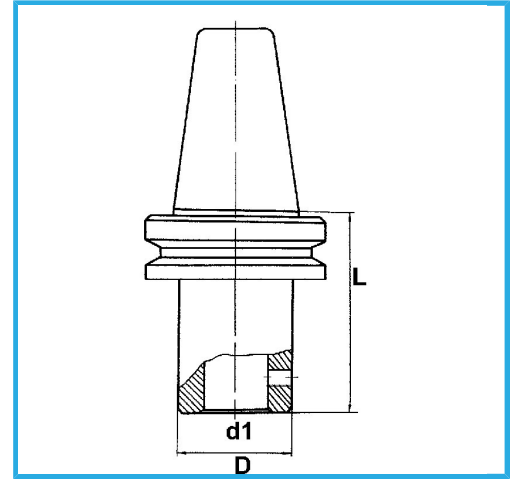


MAS-403 BT, BALANCED CHUCK BODY, FOR MILLING CUTTERS  
(WELDON) ACCORDING TO DIN 1835 B AND DIN 6535 HB. SUPPLIED  
WITH TIGHTENING...



BT	50
d1 - h6	40 mm
D	80 mm
L	120 mm
Gross weight	6,66 kg
EAN Code	8012667195458



Box



Grounded



18Ni  
CrMo5

-